

# Stal HC 8/125 MK2

## Specifications

Marka	Stal
Typ	HC 8/125 MK2
Czynnik chłodzący	NH 3 (ammonia)
kW at -10°C/+40°C	338,0 (-10°C/+35°C)
kW at -20°C/+40°C	463,0 (-12°C/+30°C)
Podstawa na stalowej ramie	✓
Ciśnieniowe przełączniki bezpieczeństwa	✓
Wskaźniki ciśnienia	✓
Separator oleju	✓
Okno widokowe	✓
Zawór elektromagnetyczny	✓
m <sup>3</sup> / h	940,0
Rozmiary	2510x1170x1810 mm (LxWxH)
Stock	1

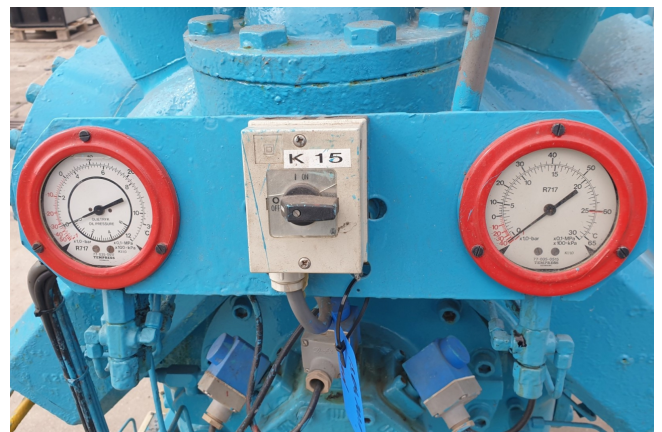


## Description

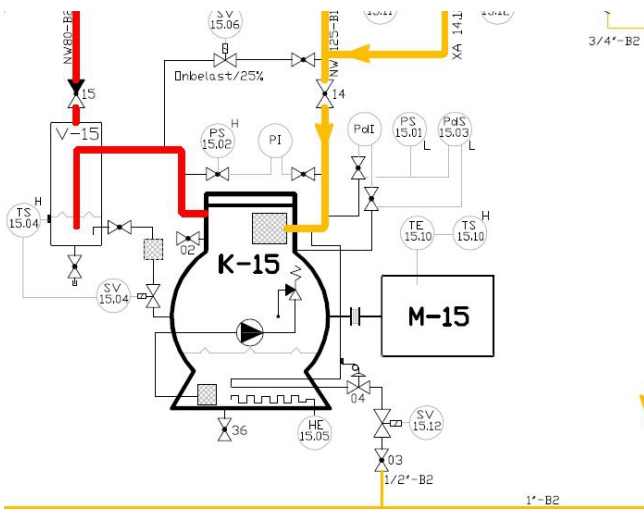
### Used Stal HC 8/125 MK2

Used York/Stal HC 8/125 MK2 compressor unit. This unit is complete with a Dormot - KS 280M - 50 Hz - 90 kW - 985 RPM elektromotor. Pressure safety switches and gauges, oil separator and selenoid valves.  
 \*Why choose for HOSBV? Were not only the largest used refrigeration specialist in Europe, but also, we deliver all equipment including an extensive test, warranty and industrial cleaning.  
 \*Optional we can also arrange the logistics.









COMPRESSOR UNIT K15	
Fabrikoat	:ABB STAL
Type	:C B N
Order nr.	:9548.02
Capaciteit	:463 kW
Zuig druk	: -12 °C
Pers druk	: +30 °C
Krachtverbruik	:112 kW
ELEKTROMOTOR M-15	
Fabrikoat	:DORMOT
Type	:KS280 M
Vermogen	:80 kW
Toerental	:1125 omw./min.
Spanning	:400/50/3 V/Hz/ph